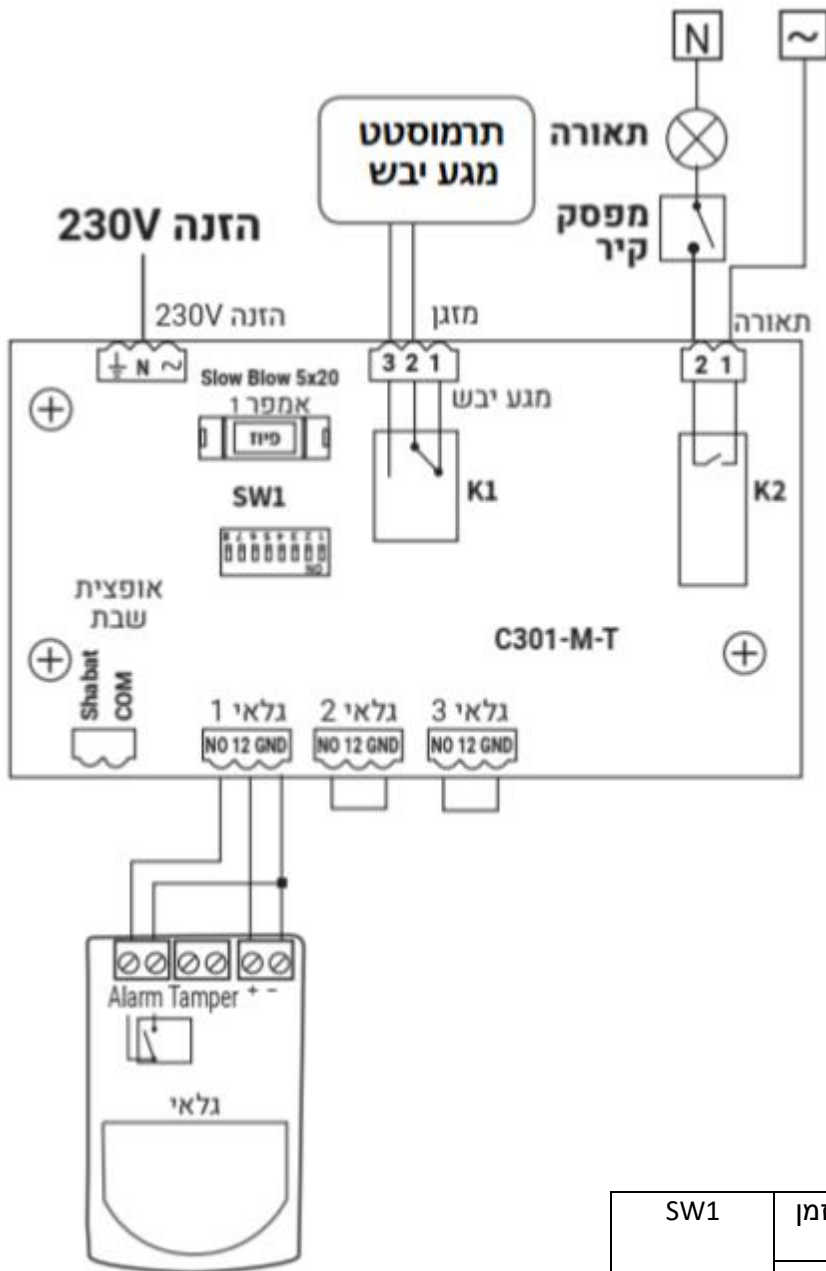


בקר דגם C301M-T - חסכון באנרגיה למזגן ותאורה



SW1	אפשרויות בחירת חלון זמן כיבוי מזגן	
	Dip 2	Dip 3
20 דקות	OFF	OFF
30 דקות	OFF	ON
60 דקות	ON	OFF
5 דקות	ON	ON

SW1	אפשרויות בחירת חלון זמן כיבוי תאורה	
	Dip 4	Dip 5
5 דקות	OFF	OFF
10 דקות	OFF	ON
15 דקות	ON	OFF
20 דקות	ON	ON

Operation logic:

- The **C301M-T** operates direct from 230 Volts AC power line.
- The **C301M-T** regulate the voltage down to 12 Volts DC which fits the motion detector.
- 3 motion detectors can be used for big rooms.

Operation Features:

- Nominal operation voltage 230 Volts.
- Connect the relay contacts in serial to the light switch circuit.
- The contacts must be connected after the light switch.
- Connect the detector using 4 wires cable.
- Install and Set the detector according to the C121WA or C121 CL IOM.

Installation Requirements:

- Use only Flexible multi – strand cables rated 250 Volts 0.5 mm minimum.
- The **C301M-T** installation must be done according to all local electrical codes and be installed by professional electricians.
- Use 4 wires cable between the control board and the Detector. Control cable 20 to 26 AWG.
- Mount the CI box according to the local electrical codes.
- Communication cable must be Twisted Pair Shielded, Minimum 22 AWG.