

C138SE-1-1 Heat Pump /Fan Coil Controller



▶ C138SE-1-1 Operates direct from
 230 Volts AC — 1 Phase.

▶ Infra Red remote control terminal.

▶ Heat Pump or Fan coil operation.

▶ Diagnostic indication on I/R receiver

- ▶ Defrost and deice logics.
 - ▶ Anti short cycle timer.
 - ▶ Delay for Indoor fan operation in Heat mode.
 - ▶ Delays between stage operations.
 - ▶ Random start delay.
 - ▶ High Head pressure protection.
 - ▶ Minimum compressor run time.
 - ▶ RV delay.
 - ▶ USD = Unit Shut Down input with random start delay.
 - ▶ Diagnostic indications.
 - ▶ I-Feel feature.
 - ▶ TEST mode.
- Optional:
- ▶ 0-10v valves control (of to 2 valves).
 - ▶ RS 485 communication port.

SPECIFICATIONS:

Power Supply	230 VAC Line voltage operation. 50/60 HZ.
Power consumption	10 VA.
Control Board Dimensions (LWD)	81mm x 138mm x 35mm (3.18" x 5.43" x 1.37").
Control (Plastic) Box Dimensions (LWD)	235mm x 170mm x 76mm (9.25" x 6.7" x 3").
Operating temperature	0°C / 32°F to 70°C / 158°F.
Storage temperature	-18°C / 0°F to 70°C / 158°F 90% Relative Humidity, Non — Condensation.
Temperature Set Point range	16... C to 30... C.
Differential	1... C. (1.8... F).
Fan Relays Rating	16Amps, 1 HP, 250 VAC
Control Relays Rating	1/4 HP, 250 VAC.
Compressor Relay Rating	30 Amps, 4 HP, 250VAC
Test Jumper	JP1 — Deletes the 3 minutes anti short cycle timer.
I/R receiver cable to C138SE controller	RJ11 — 4 cable (4P4C) terminals. (Standard 6 meters.)

WHEN ORDERING USE THE FOLLOWING PART NUMBER

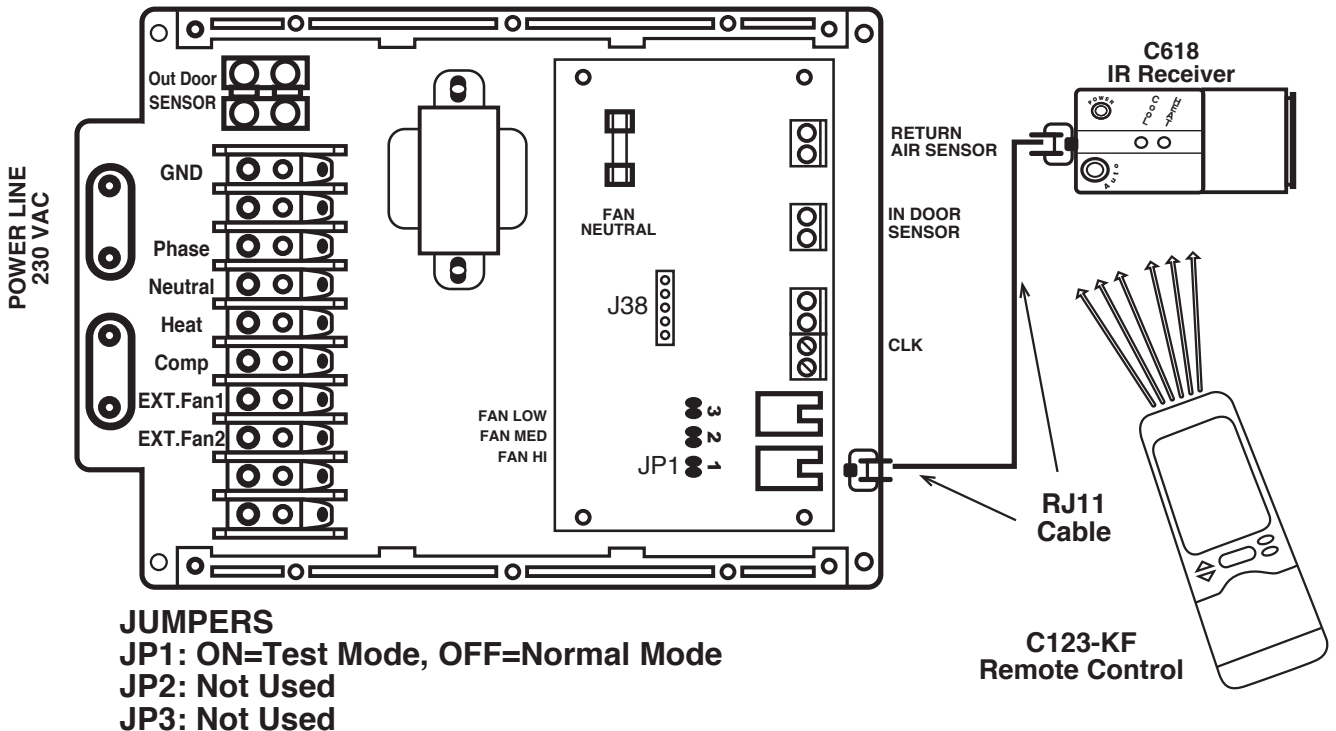
Model	Part No.
C138SE	C138DA-HP-1C-1H

Heat Pump / Fan Coil Controller

Heat Pump / Fan Coil Controller

C138SE-1-1

Heat Pump/Fan Coil Controller



Operation Features:

- Nominal operation voltage 230 Volts.
- 1 phase air condition unit control.
- Manual and automatic change over from Cool to Heat-MCO,ACO.
- Fan only mode.
- Three fan speed plus automatic fan speed change.
- I feel – temperature reading at handheld remote control terminal or at return air.
- Jumper for test mode and Heat pump / fan coil application selection.
- Fan works continuously in Cool mode and per demand in heat mode.
- Status of operation and fault indication display on I/R receiver LED's.
- CLK input for BMS system and external timer remote operation.

Installation Requirements:

- Use only Flexible multi – strand cables rated 250 Volts 0.5 mm minimum.
- Wires size according to air condition rating and local electrical code only.
- Controller box must be installed on air cond. Surface or on the wall with 4 screws.
- Handheld remote control Hanger must be installed at about 150 cm from the floor.
- The I/R receiver must be installed on top of the remote control handheld hanger and must have site of view between the remote control and the I/R receiver.
- Use only supplied 6 meters RJ11-4 cable between the I/R receiver and the Controller.

Options:

- External remote sensor to be placed in the return air.
- DIN Rail box. 1600mm long.
- RJ11-4 cables of 10, 15 and 20 meters.
- Temperature sensors for the Indoor and outdoor coils for defrost and high head pressure protection.
- RS485 communication.
- 0-10 Volts for proportional water valves.